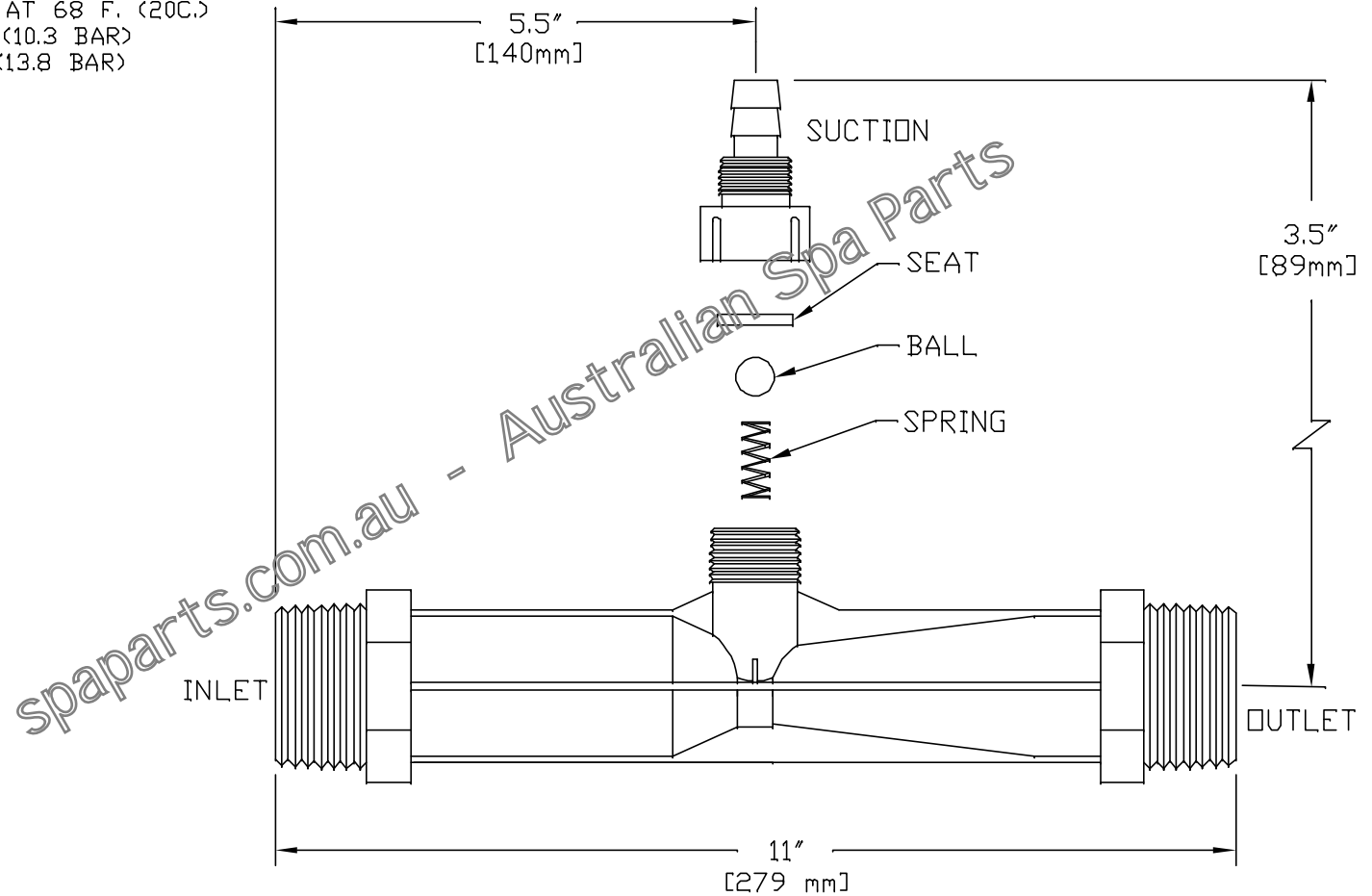


NOTES:

1. INLET & OUTLET: 1.5" MNPT OR BSPT (ISO-R)
2. SUCTION PORT: 1/2" TUBING BARB SHANK OR 1/2" MNPT WITH BUILT-IN CHECK VALVE WITH TEFLON BALL, KEL-F SEAT AND HASTELLOY-C SPRING
3. MATERIAL: POLYPROPYLENE OR PVDF (KYNAR)
4. MAXIMUM TEMPERATURE RATING:
 POLYPROPYLENE: 150 F. (65.5 C.)
 PVDF: 200 F. (93.3 C.)
5. MAXIMUM PRESSURE RATING AT 68 F. (20C.)
 POLYPROPYLENE: 150 PSIG (10.3 BAR)
 PVDF: 200 PSIG (13.8 BAR)



Covered By United States Patent No. 5,863,128
 International Patents Pending



mazzei injector corporation
 Bakersfield, California, USA

DATE	12-19-00	TITLE		
DRAWN BY	JRM	MODEL 1584-A INJECTOR		
REVIEWED BY	RST	NUMBER	JRM-20	SIZE
SCALE	NONE			REV.
MATERIALS: SEE NOTES		PAGE (1) OF (1)		

Mazzei Injector Corporation - Injector Performance Table							
Injector Model				1584			
Operating Pressure PSIG		Air Suction		Operating Pressure PSIG		Air Suction	
Injector Inlet	Injector Outlet	Motive Flow GPM	Air Suction SCFH	Injector Inlet	Injector Outlet	Motive Flow GPM	Air Suction SCFH
5	0	18	47	60	0	62	238
	2		32		5		219
	3		21		10		191
	4		11		15		158
10	0	26	98	70	20	68	121
	2		72		30		68
	5		37		35		53
	7		21		40		37
	8		13		45		26
15	0	31	144	80	0	72	244
	5		72		5		232
	7		46		10		208
	10		24		15		179
	12		9		20		151
20	0	36	170	90	30	77	92
	5		102		40		56
	10		41		45		43
	12		31		50		33
	15		13		55		24
25	0	40	185	100	0	81	248
	5		129		5		240
	10		66		10		223
	15		33		15		200
	20		12		20		174
30	0	44	194	120	30	88	117
	5		153		40		80
	10		99		50		49
	15		54		60		28
	20		29		65		18
35	0	48	206	150	0	91	250
	5		173		5		247
	10		123		10		234
	15		72		20		194
	20		40		30		142
	25		23		40		98
40	0	51	212	200	50	98	68
	5		189		60		46
	10		148		70		27
	15		99		75		18
	20		60		80		18
	25		38		80		18
45	0	54	222	250	0	101	252
	5		198		5		252
	10		158		10		245
	15		111		20		209
	20		74		30		168
	25		50		40		122
50	0	57	226	300	0	104	260
	5		208		5		258
	10		176		10		255
	15		133		20		237
	20		97		30		209
	25		68		40		170
	30		47		50		130
	35		32		60		99
	40		19		70		76
				80	55		
				90	37		
				100	22		

Mazzei Injector Corporation - Injector Performance Table									
Injector Model				1584					
Operating Pressure kg/cm2		Air Suction		Operating Pressure kg/cm2		Air Suction			
Injector Inlet	Injector Outlet	Motive Flow l/min	Air Suction l/min	Injector Inlet	Injector Outlet	Motive Flow l/min	Air Suction l/min		
0.35	0.00	68	22	4.22	0.00	237	112		
	0.14		15		0.35		103		
	0.21		10		0.70		90		
	0.28		5		1.05		74		
0.70	0.00	97	46		1.41		57	256	32
	0.14		34		2.11		25		
	0.35		18		2.46		18		
	0.49		10		2.81		12		
	0.56		6		3.16		12		
1.05	0.00	118	68		4.92		0.00	256	115
	0.35		34				0.35		110
	0.49		22				0.70		98
	0.70		11	1.05		85			
	0.84		4	1.41		71			
1.41	0.00	137	80	2.11		43	273		27
	0.35		48	2.81		20			
	0.70		19	3.16		16			
	0.84		15	3.52		16			
1.76	1.05	153	6	3.87		17	273		117
	0.00		87	0.00		113			
	0.35		61	0.35		105			
	0.70		31	0.70	94				
	1.05		16	1.05	82				
2.11	1.41	167	6	5.62	1.41	273	55		
	1.76		5		2.11		38		
	0.00		92		2.81		23		
	0.35		72		3.52		13		
	0.70		47		4.22		8		
2.46	1.05	181	26		6.33		4.57	290	8
	1.41		13				0.00		118
	1.76		5				0.35		116
	0.00		97				0.70		111
	0.35		82				1.41		91
	0.70		58				2.11		67
2.81	1.05	193	34				7.03		2.81
	1.41		19	3.52		32			
	1.76		11	4.22		22			
	0.00		100	4.92		13			
	0.35		89	5.27		8			
	0.70		70	0.00		119			
3.16	1.05	205	47	8.44	0.35	335		119	
	1.41		28		0.70			116	
	1.76		18		1.41			98	
	2.11		10		2.11			79	
	0.00		105		2.81			58	
	0.35		93		3.52			42	
	0.70		74		4.22		29		
3.52	1.05	216	52		8.44		4.92	335	20
	1.41		35				5.62		12
	1.76		23				0.00		123
	2.11		15				0.35		122
	2.46		10				0.70		121
	0.00		107	1.41		112			
	0.35		98	2.11		98			
	0.70		83	2.81		80			
1.05	63	3.52	62						
1.41	46	4.22	47						
1.76	32	4.92	36						
2.11	22	5.62	26						
2.46	15	6.33	18						
2.81	9	7.03	10						