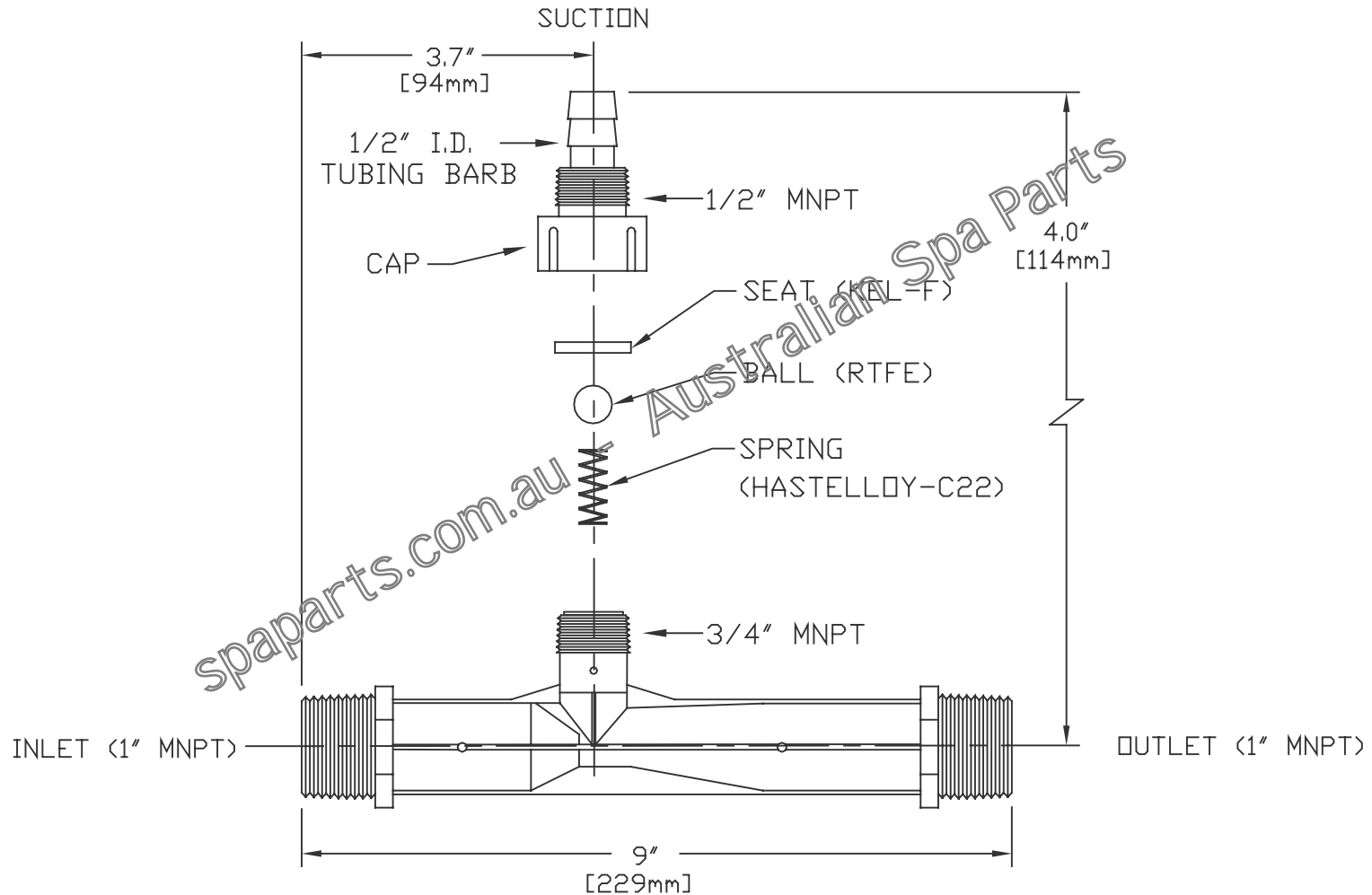


NOTES:

1. INLET AND OUTLET: 1" MNPT OR BSPT (ISO-R)
2. SUCTION PORT: 1/2" (ID) TUBING BARB OR 1/2" MNPT
3. MATERIAL OF CONSTRUCTION: GLASS REINFORCED POLYPROPYLENE OR PVDF (KYNAR)
4. MAXIMUM TEMPERATURE RATING:
 - POLYPROPYLENE: 150 F. (65.5 C.)
 - PVDF: 200 F. (93.3 C.)
5. MAXIMUM PRESSURE RATING: AT 68 F. (20 C.)
 - POLYPROPYLENE: 150 PSIG (10.3 BAR)
 - PVDF: 200 PSIG (13.8 BAR)



DISCLAIMER: Any recommendations for particular products and/or system design, whether contained in a document, within this drawing, communicated by electronic means, or given verbally, are intended solely as guides to actual system design. Sold recommendations are based upon information supplied by others, the accuracy of which is beyond verification by Mazzei Injector Corp. (MIC). Likewise, the actual operation of any system utilizing the products or recommendations of MIC is equally beyond the control of MIC. Therefore, MIC cannot, and does not, warrant the suitability of its products for a particular service nor the performance of any system containing components made or sold by MIC.



Mazzei Injector Corporation
500 Rooster Drive
Bakersfield, California 93307 USA

DATE	2-23-04	TITLE	
DRAWN BY	JRM	MODEL 978-02 INJECTOR	
REVISED			
REVISED BY		NUMBER	JRM-274
SCALE	NONE	MATERIALS	SEE NOTES
		SIZE	REV.
		PAGE (1) OF (1)	

Mazzei Injector Corporation Injector Performance Table							
Injector Model				978			
Operating Pressure PSIG		Air Suction		Operating Pressure PSIG		Air Suction	
Injector Inlet	Injector Outlet	Motive Flow GPM	Air Suction SCFH	Injector Inlet	Injector Outlet	Motive Flow GPM	Air Suction SCFH
5	0	4.1	18.6	60	0	14.1	73.1
	1		5.2		5		57.0
	2		1.8		10		37.3
	3		0.9		15		24.7
	4		0.4		20		18.2
10	0	5.7	30.0		30		10.7
	2		11.2		35		7.9
	5		3.1		40		5.7
	7		1.3		45		3.7
	8		0.9		0		73.7
15	0	7.0	38.0	70	5	15.2	62.8
	5		8.9		10		49.4
	7		5.6		15		32.0
	10		2.5		20		23.0
	12		1.3		30		15.0
20	0	8.1	44.1		40		9.2
	5		14.6		45		6.9
	10		6.1		50		4.8
	12		4.1		55		2.9
	15		2.1		0		76.4
25	0	9.1	48.1	80	5	16.3	67.4
	5		18.7		10		55.9
	10		8.7		15		38.1
	15		4.6		20		27.9
	20		1.7		30		19.0
30	0	10.0	49.8		40		11.6
	5		26.6		50		7.5
	10		12.6		60		4.1
	15		7.2		65		3.7
	20		3.8		0		87.9
35	0	10.8	48.2	90	5	17.2	61.2
	5		29.2		10		33.2
	10		16.3		20		22.6
	15		11.0		30		16.0
	20		6.9		40		9.9
40	0	11.5	52.0		50		7.2
	5		38.7		60		4.4
	10		20.3		70		3.7
	15		13.2		0		90.9
	20		8.6		5		76.2
45	0	12.2	54.9	100	10	18.2	67.4
	5		42.5		20		39.1
	10		23.5		30		27.7
	15		16.2		40		19.3
	20		11.2		50		13.3
50	0	12.8	61.2		60		9.7
	5		48.3		70		7.0
	10		27.0		80		4.5
	15		19.3		0		93.9
	20		13.8		5		81.8
50	25	12.8	10.0	120	10	19.9	71.7
	30		6.8		20		48.4
	35		4.6		30		33.5
	40		2.5		40		24.0
					50		16.1
					60		13.4
					70		10.1
					80		7.8
		90	5.6				
		100	4.0				

Mazzei Injector Corporation Injector Performance Table									
Injector Model				978					
Operating Pressure kg/cm2		Air Suction		Operating Pressure kg/cm2		Air Suction			
Injector Inlet	Injector Outlet	Motive Flow l/min	Air Suction l/min	Injector Inlet	Injector Outlet	Motive Flow l/min	Air Suction l/min		
0.35	0.00	15.4	8.8	4.22	0.00	53.3	34.5		
	0.07		2.4		0.35		26.9		
	0.14		0.9		0.70		17.6		
	0.21		0.4		1.05		11.7		
	0.28		0.2		1.41		8.6		
0.70	0.00	21.8	14.1		4.92		2.11	57.5	5.1
	0.14		5.3				2.46		3.7
	0.35		1.5				2.81		2.7
	0.49		0.6				3.16		1.7
	0.56		0.4				0.00		34.8
1.05	0.00	26.6	17.9	5.62	0.35	61.5	29.6		
	0.35		4.2		0.70		23.3		
	0.49		2.7		1.05		15.1		
	0.70		1.2		1.41		10.8		
	0.84		0.6		2.11		7.1		
1.41	0.00	30.8	20.8		6.33		2.81	65.3	4.3
	0.35		6.9				3.16		3.3
	0.70		2.9				3.52		2.3
	0.84		1.9				3.87		1.7
	1.05		1.0				0.00		36.0
1.76	0.00	34.4	22.7	7.03	0.35	68.8	31.8		
	0.35		8.8		0.70		26.4		
	0.70		4.1		1.05		18.0		
	1.05		2.2		1.41		13.2		
	1.41		0.8		2.11		9.0		
2.11	0.00	37.7	23.5		7.7		2.81	75.3	5.5
	0.35		12.6				3.52		3.5
	0.70		6.0				4.22		1.9
	1.05		3.4				4.57		1.8
	1.41		1.8				0.00		41.5
2.46	0.00	40.7	22.8	8.44	0.35	75.3	41.5		
	0.35		13.8		0.70		32.9		
	0.70		7.7		1.05		28.9		
	1.05		5.2		1.41		15.7		
	1.41		3.2		1.76		10.7		
2.81	0.00	43.5	24.6		8.44		2.81	75.3	7.6
	0.35		18.3				3.52		4.7
	0.70		9.6				4.22		3.4
	1.05		6.2				4.92		2.1
	1.41		4.1				5.27		1.7
3.16	0.00	46.1	25.9	8.44	2.11	75.3	42.9		
	0.35		20.1		0.35		35.9		
	0.70		11.1		0.70		31.8		
	1.05		7.6		1.41		18.4		
	1.41		5.3		2.11		13.1		
3.52	0.00	48.6	28.9		8.44		2.81	75.3	9.1
	0.35		22.8				3.52		6.3
	0.70		12.8				4.22		4.6
	1.05		9.1				4.92		3.3
	1.41		6.5				5.62		2.1
3.52	0.00	48.6	28.9	8.44	0.00	75.3	44.3		
	0.35		22.8		0.35		38.6		
	0.70		12.8		0.70		33.9		
	1.05		9.1		1.41		22.8		
	1.41		6.5		2.11		15.8		
3.52	0.00	48.6	28.9	8.44	2.81	75.3	11.3		
	0.35		22.8		3.52		7.6		
	0.70		12.8		4.22		6.3		
	1.05		9.1		4.92		4.7		
	1.41		6.5		5.62		3.7		
3.52	0.00	48.6	28.9	8.44	2.81	75.3	2.6		
	0.35		22.8		3.52		1.9		
	0.70		12.8		4.22				
	1.05		9.1		4.92				
	1.41		6.5		5.62				